

MC26LFT-S Order Form

Date _____
 AVFI Sales REP _____
 Customer Signature _____


Quote No. _____
 Customer No. _____
 AVFI No. _____

Office Use Only

To generate your order form, please refer to the information provided below to insert the alphabetic and/or numeric code in the respective category boxes. Please note that without this filled out Order Form, your purchase **cannot** be processed.

| 1 | 2 | 3 | 4 |
|------------------|--------|---|----------------|
| Product Model | Finish | Chargeable Accessories (One Code Per Box) | Custom Cutouts |
| MC26LFT-S | | | |

1 Product Model



Code **MC26LFT-S**

2 Choose Product Finish

Standard Finishes

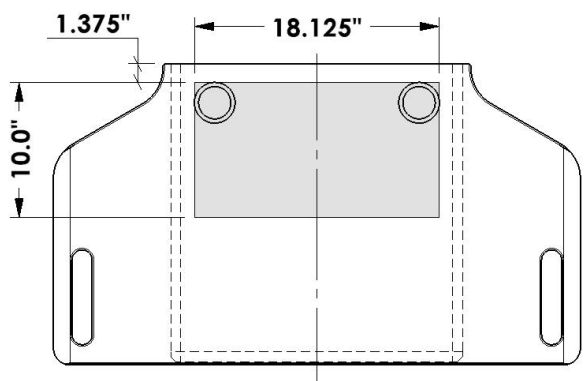
| | | | | | | | |
|------------|------------|------------|------------|------------|------------|------------|------------|
| | | | | | | | |
| AMT | AST | CLT | CPT | CWT | EBT | FMT | HCT |
| | | | | | | | |
| SBT | SGT | SST | | | | | |

3 Chargeable Accessories (Check all that apply)


| | | |
|------------------|---|-----------|
| Code OO | No Accessories | Qty _____ |
| Code B1 | 9031-1 1U Utility Metal Shelf | Qty _____ |
| Code B2 | 9031-2 2U Utility Metal Shelf | Qty _____ |
| Code B3 | 9031-3 3U Utility Metal Shelf | Qty _____ |
| Code B4 | 9041 Sliding Metal Shelf | Qty _____ |
| Code B5 | 9052-2 2U Sliding Metal Drawer | Qty _____ |
| Code B6 | 9052-3 3U Sliding Metal Drawer | Qty _____ |
| Code D4 | FAN Quiet Cooling Fan | Qty _____ |
| Code E1 | PB 6 Outlet Power Bar (Cart includes 1 Power bar) | Qty _____ |
| * Code E3 | CUB3 Round Cable Well | Qty _____ |
| * Code E7 | PC-PATCH Power-Data Module | Qty _____ |
| * Code EA | CUB4S Silver Power Panel | Qty _____ |
| * Code EB | CUB4B Black Power Panel | Qty _____ |
| * Code EF | CHGQIB Wireless Charging Station, Black | Qty _____ |
| * Code EJ | CUB22 3 Module Power Panel (Black) | Qty _____ |
| * Code EK | CUBM3 3 Module Power & Data Panel (Black) | Qty _____ |
| * Code EL | CUBM4 4 Module Power & Data Panel (Black) | Qty _____ |
| * Code ES | CHGWAC Desktop Wireless Charger with USB-A+C | Qty _____ |
| Code M4 | CBB-TV Under Tv Camera Bracket | Qty _____ |
| Code M7 | TVCB-XL TV Mounted Camera Bracket | Qty _____ |
| Code N1 | BKT-ROOM Camera Bracket (Requires TVCB) | Qty _____ |
| Code N3 | BKT-SBB2 Sound Bar Bracket | Qty _____ |

4 Custom Cutout Option (Extra charges will apply)

Please indicate custom cutout location on the drawing below



Code **CO** No Custom Cutout
 Code **CC** Custom Cutout (Specify on Cutout Area Above)

 Cutout Area (18.125"W x 10"D)

* Cutout Required
 § Only on Flat Cutout

Comments (Please use this section to provide additional information)

Notes

CAD Drawings/Symbols
 CAD drawings are available by request at sales@avfi.com

Custom Cutouts Estimated lead time within 20 business days from receipt of P.O. and signed drawings.

Customizations
 Modifications to design such as shape and/or size variations have to be quoted on a per case basis and are applicable for quantities of 10+ only.